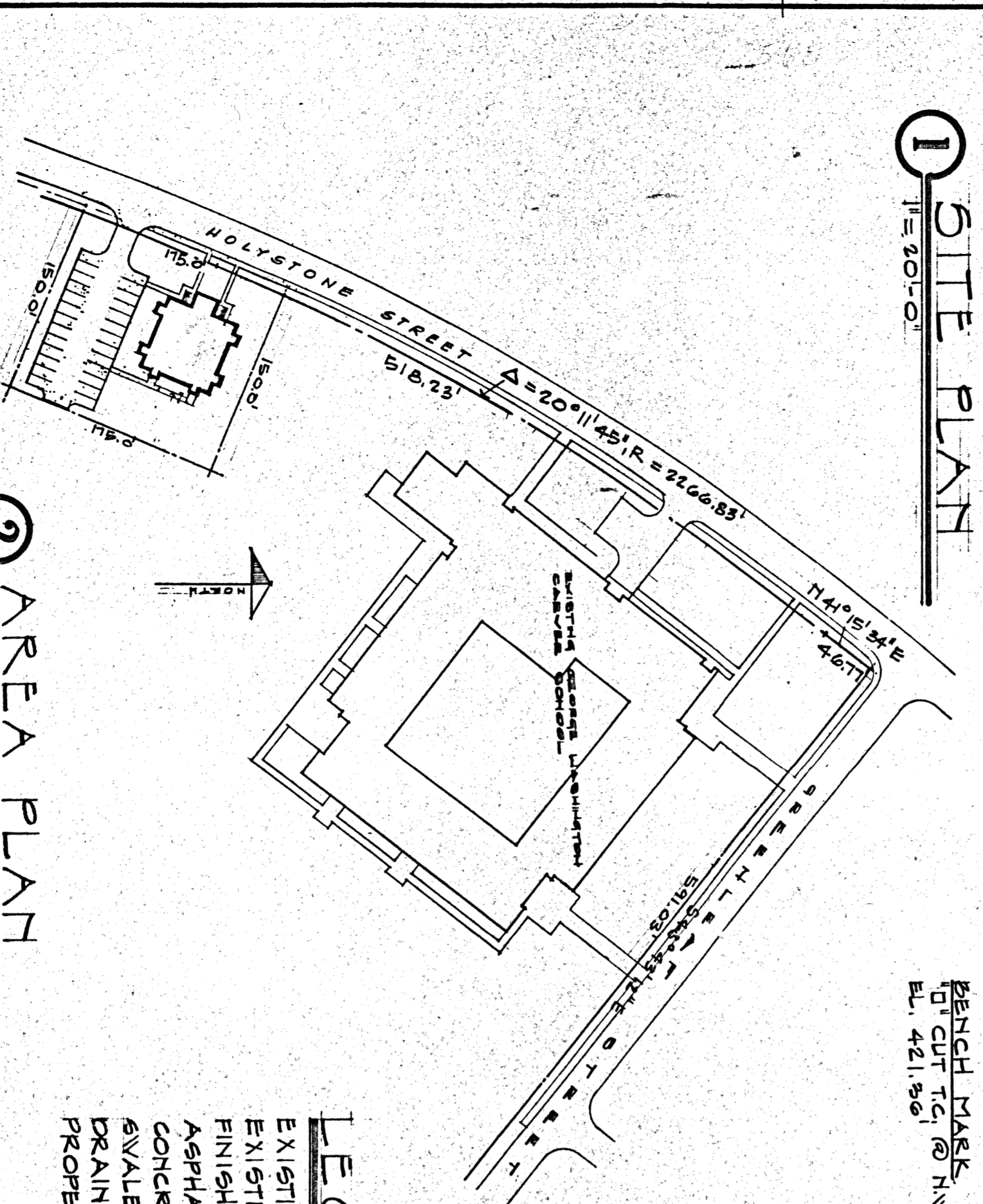
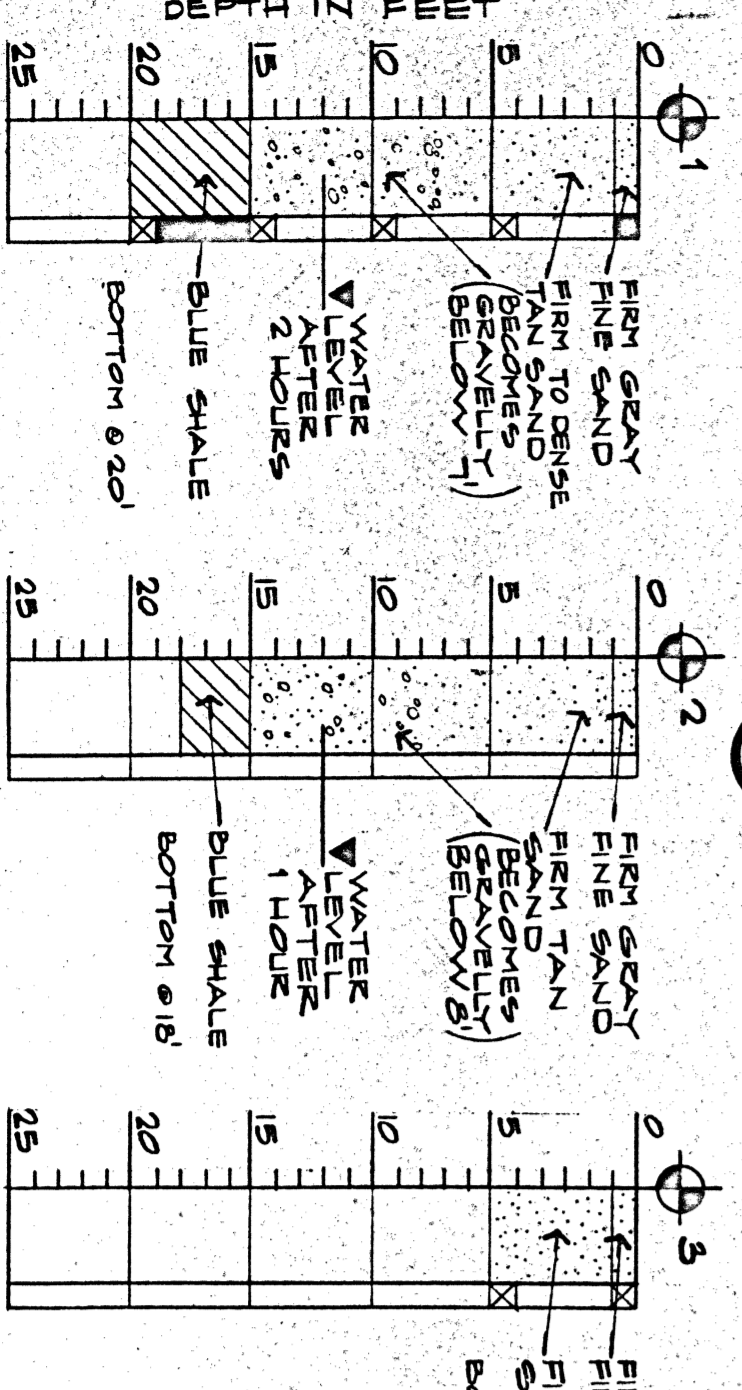


1 SITE PLAN
1/8" = 10'-0"

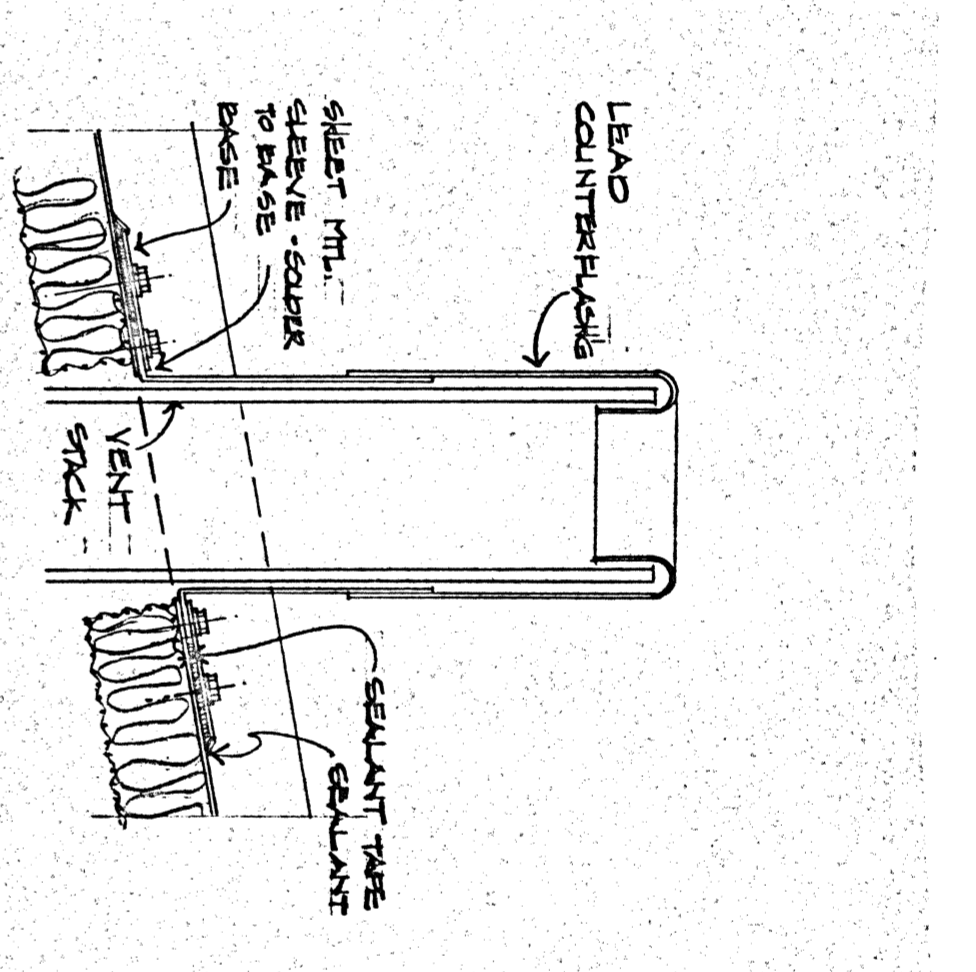


2 AREA PLAN
1/8" = 10'-0"

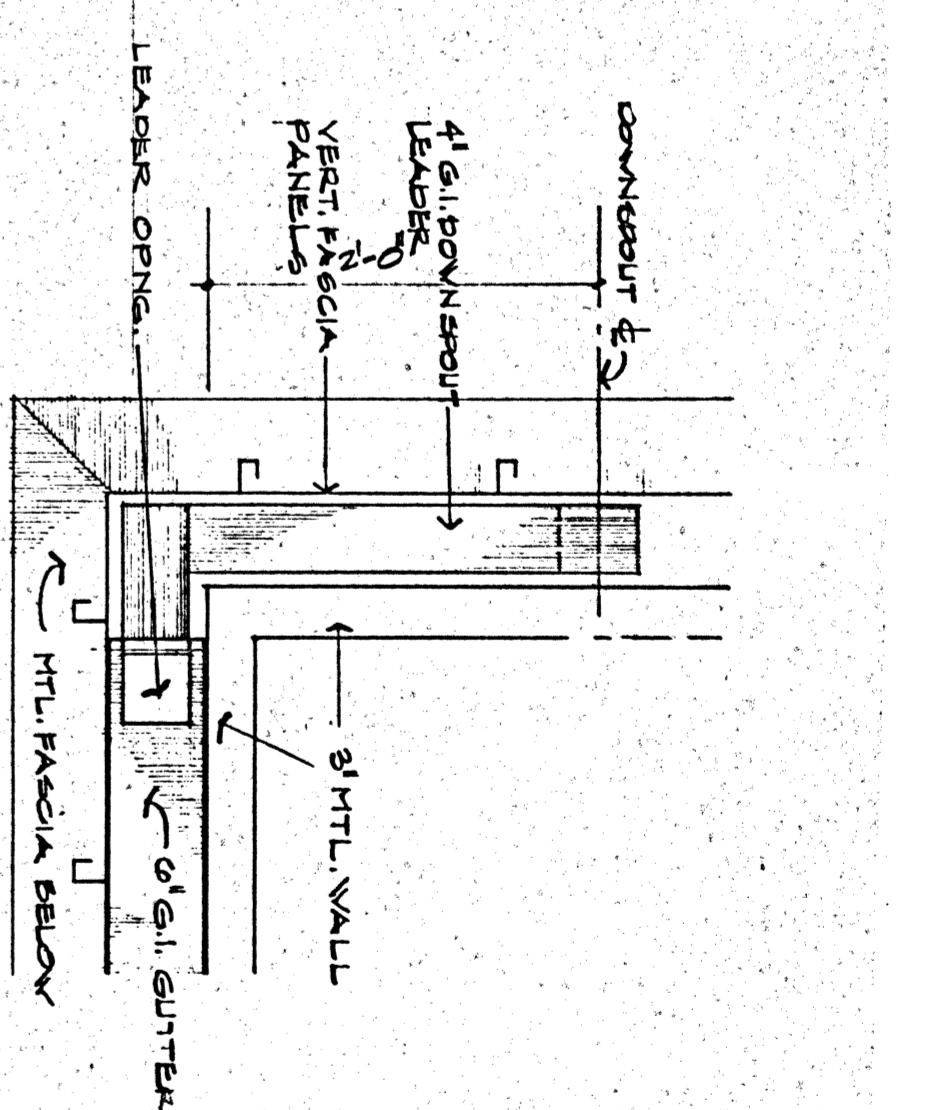
LEGEND
 EXISTING CONTOURS - 523 -
 EXISTING SPOT GRADE - 5000
 FINISHED GRADES - 5000
 ASPHALT PAVING
 CONCRETE PAVING
 DRAINAGE
 SWALE OR DIRECTION OF DRAINAGE
 PROPERTY LINE



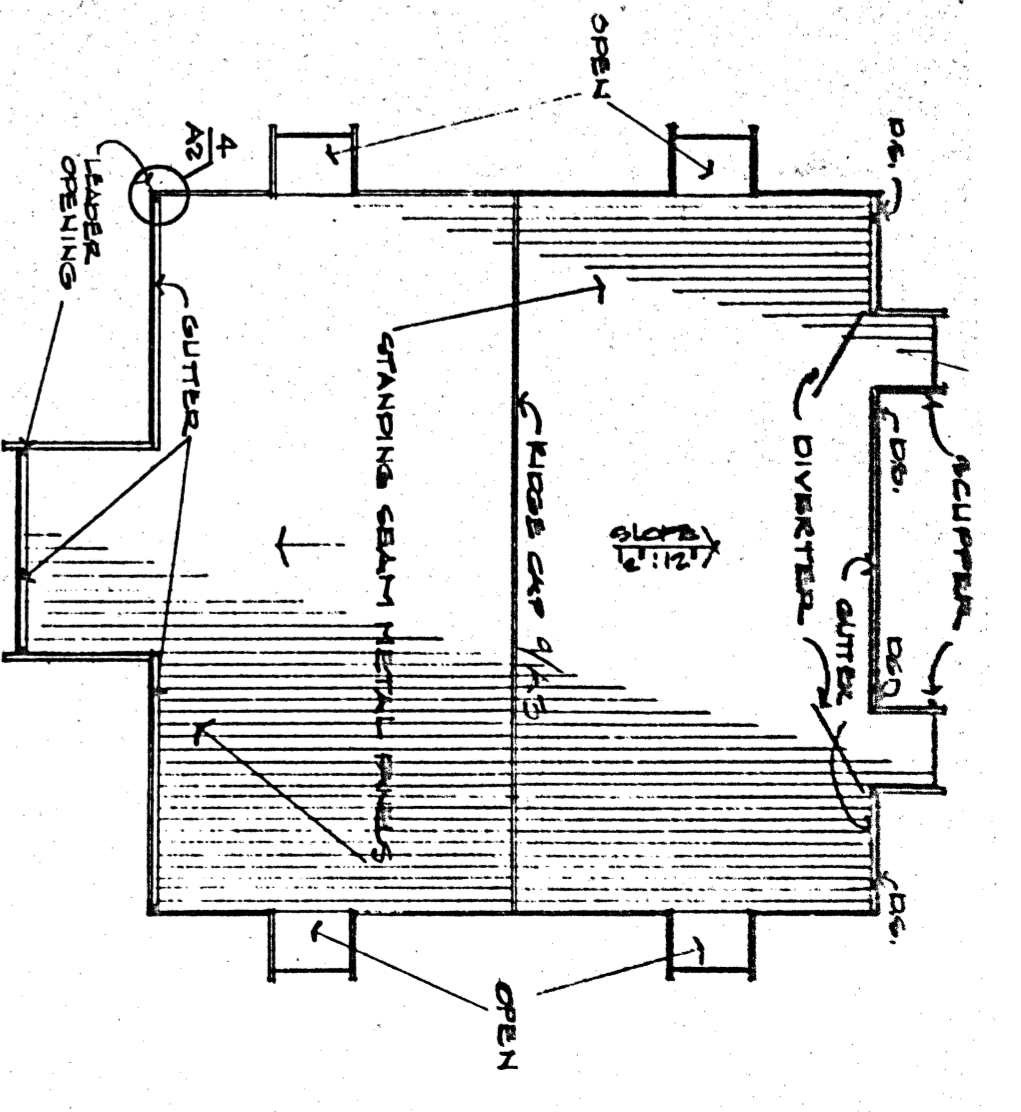
LOG OF TEST BORINGS
TEST BORINGS DATA FURNISHED BY MITCHELL & ASSOCIATES DALLAS TX



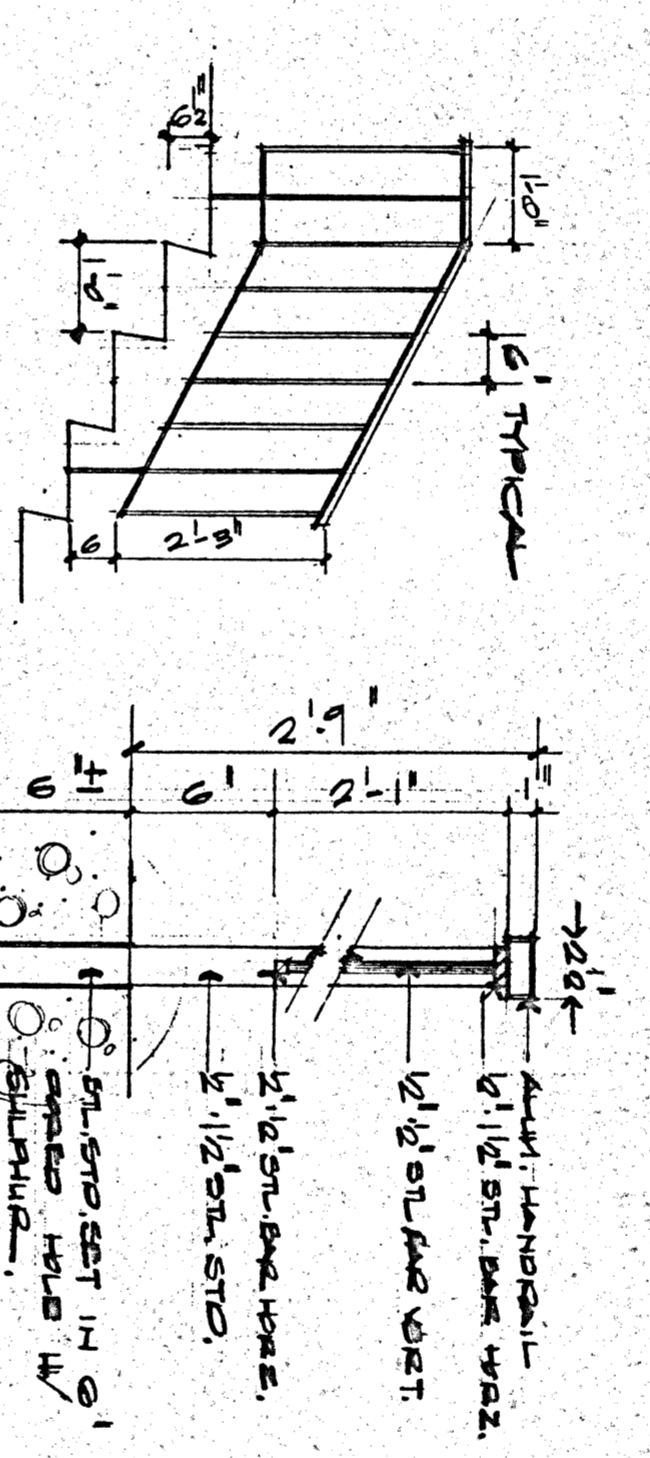
3 VENT STACK THRU METAL ROOF
3/8" = 1'-0"



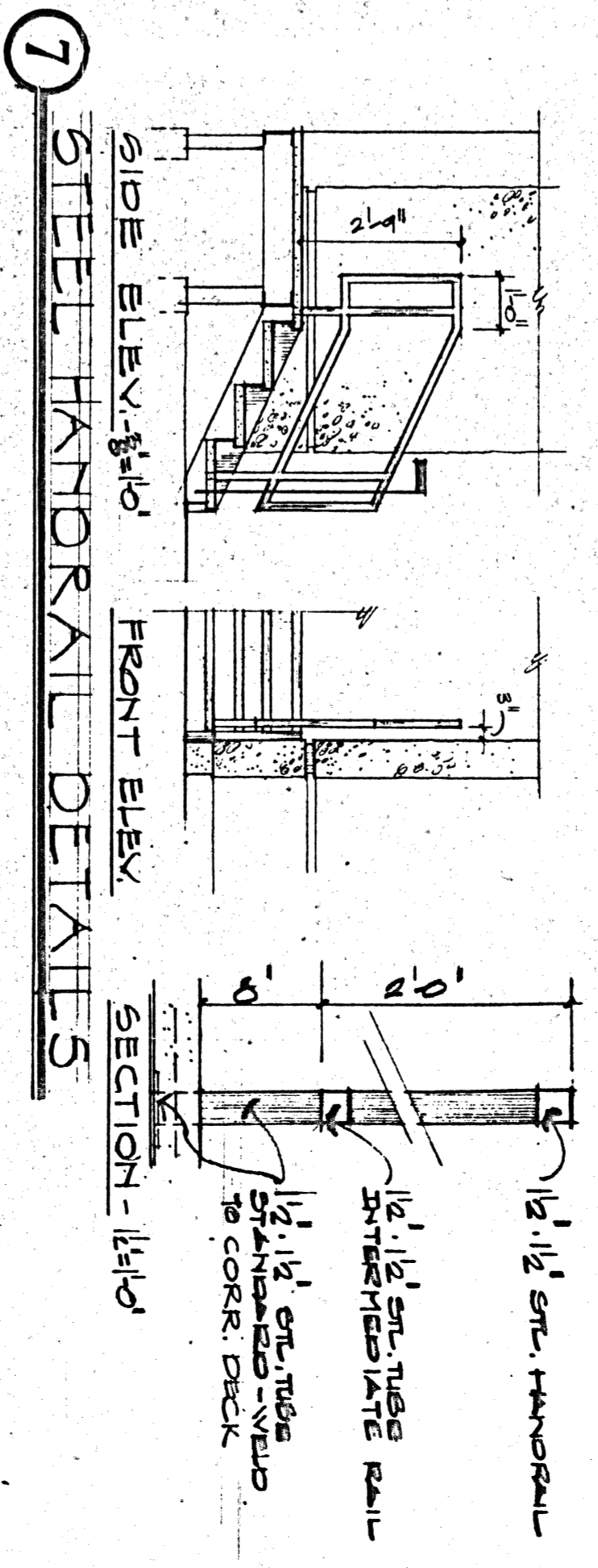
4 PLAN-SECT - FASCIA & DOWNSPOUT LEADER
1/8" = 1'-0"



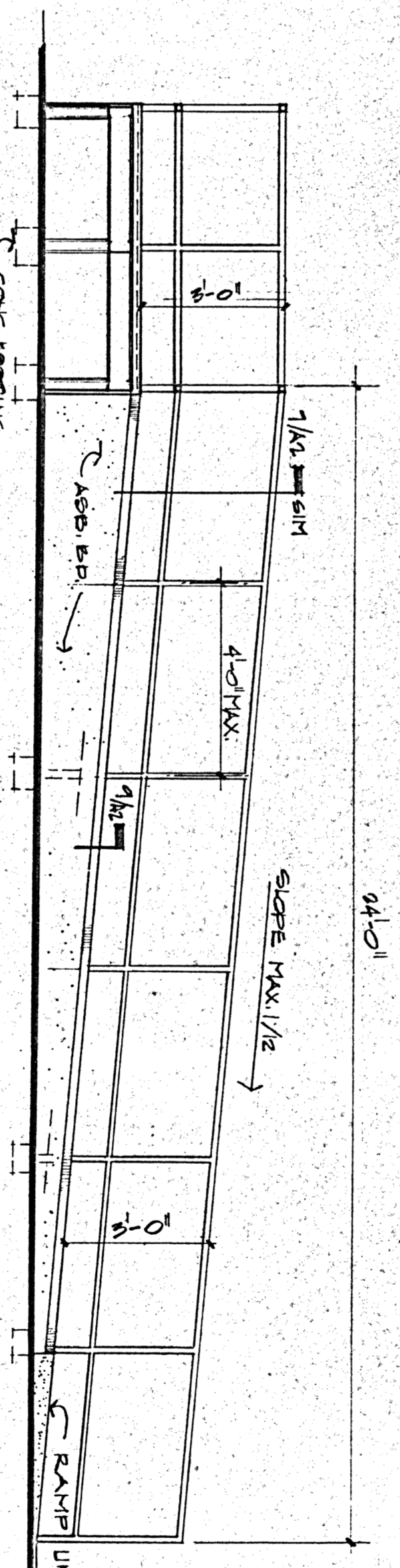
5 ROOF PLAN
1/8" = 1'-0"



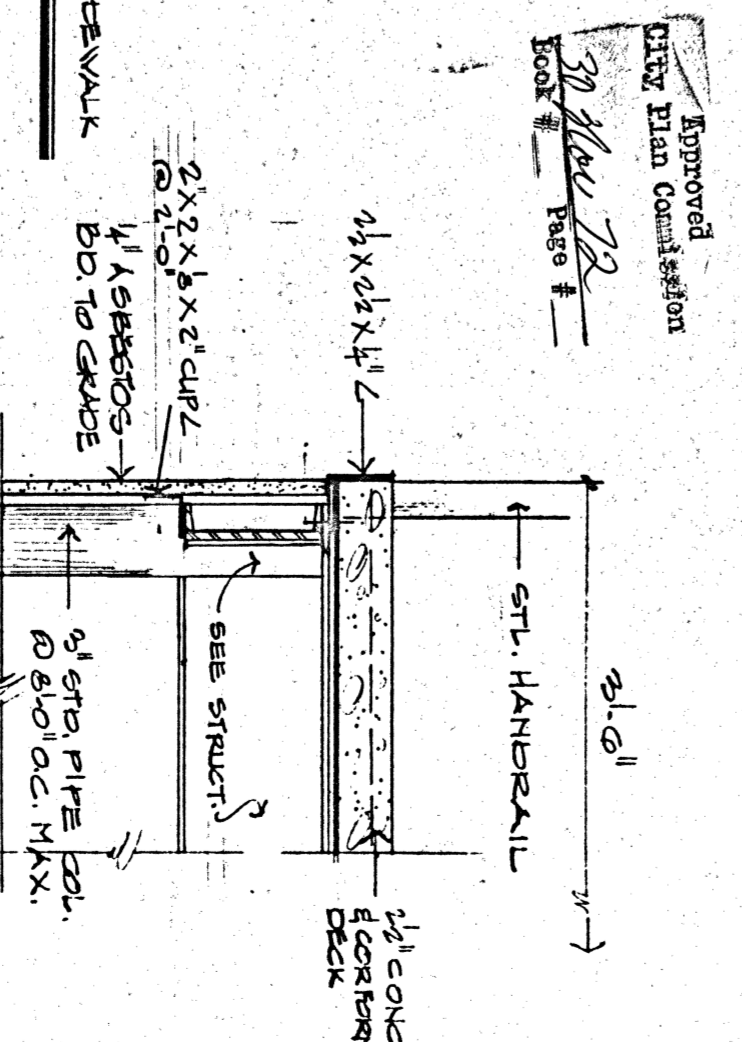
6 ALUMINUM HANDRAIL DET.
2" SCALE
TYPICAL ELEVATION
TYPICAL SECTION



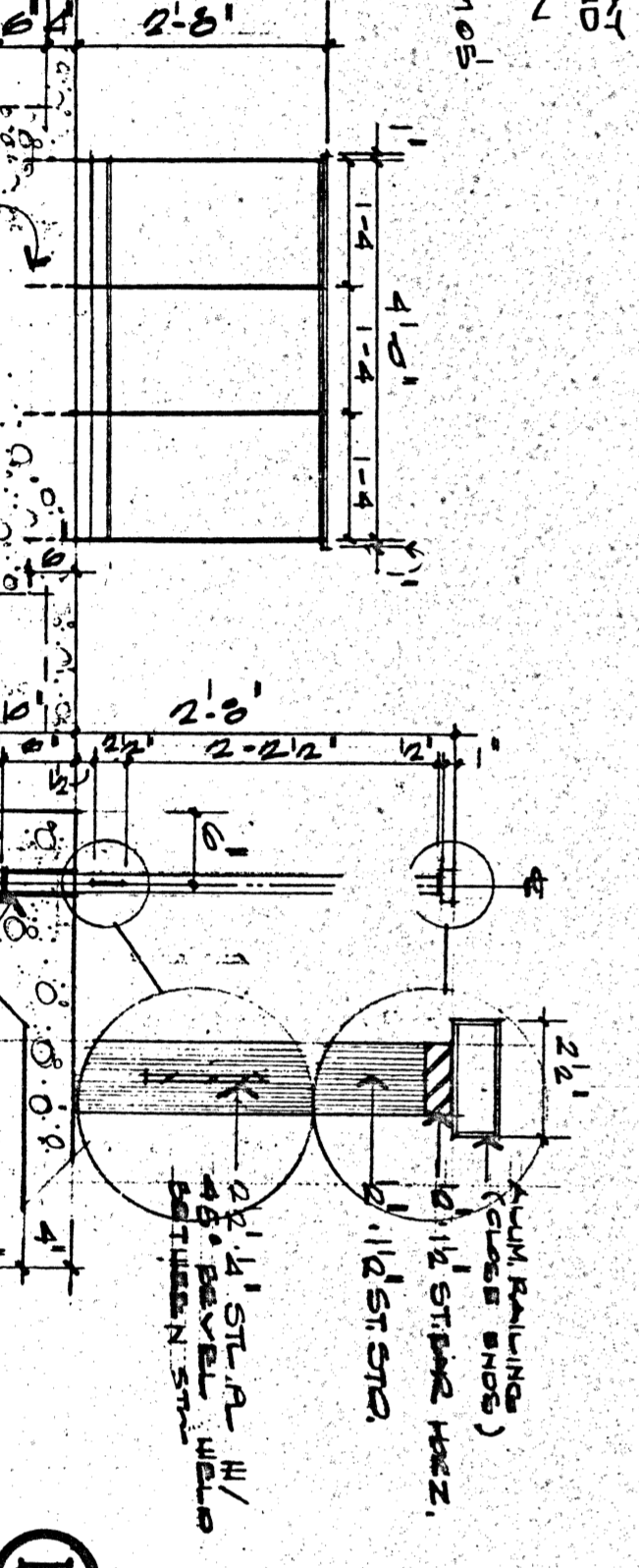
7 STEEL HANDRAIL DETAILS
SIDE ELEV. - 3/4" = 1'-0"
FRONT ELEV. - 3/4" = 1'-0"
SECTION - 1/4" = 1'-0"



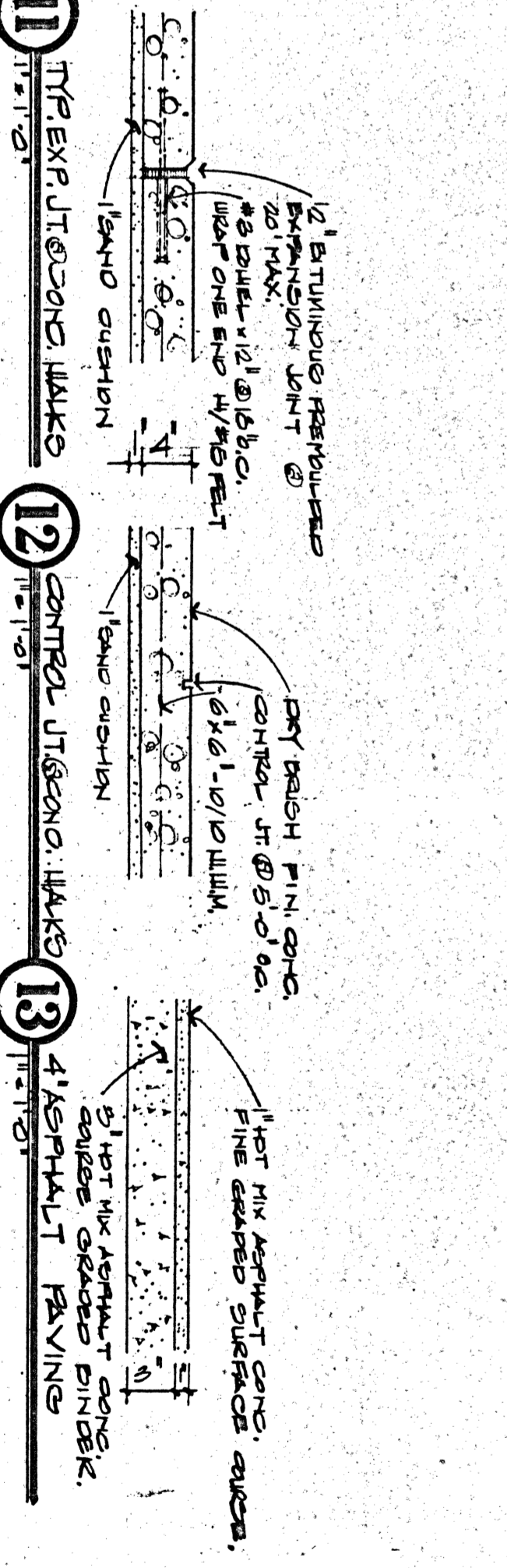
8 ELEVATION-SECTION @ RAMP
3/8" = 1'-0"



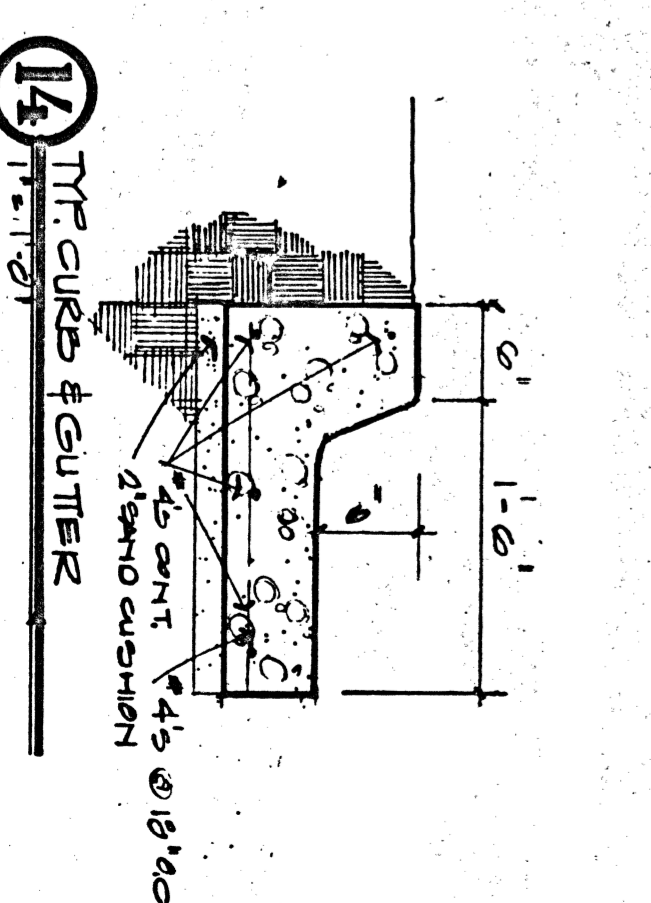
9 SECTION
1/4" = 1'-0"



10 WATERFALL DETAILS
1/2" = 1'-0"



11 TYPICAL PAVING DETAILS
1/2" = 1'-0"



14 TYP. CURB & GUTTER
1/2" = 1'-0"

STEWART, THRUSTON AND BECKI ARCHITECTS PLANNERS
DALLAS, TEXAS

CARVER CHILDREN'S CLINIC BUILDING
FOR DALLAS INDEPENDENT SCHOOL DISTRICT

DATE: 8-23-72
REVISIONS:

A2
DRAWING
JOB NO. 7034